



# Ultrafast Fibre Network Solutions for New Build Developments





# Fast, Reliable, Future-Proof

GTC delivers complete, end-to-end fibre-to-the-home (FTTH) network solutions. Our ultrafast, reliable connectivity gives homeowners the fastest speeds for seamless online living - while developers benefit from simplicity, reliability and market-leading value.

2 Ultrafast Fibre



# Ultrafast connectivity from day one

We provide 100% FTTH networks with ultrafast speeds of 1 Gbps or faster. Homeowners are fully connected the day they move in – **guaranteed**.

## Choice and flexibility with open access

Our open access fibre networks offer a wide choice of Internet Service Providers (ISPs), so homeowners can select packages that suit their lifestyle and budget.

## Streamlined efficiency and cost savings

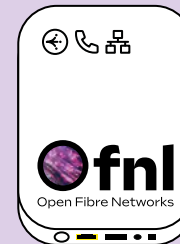
Installing fibre alongside our other utility networks saves time and significantly reduces construction and operational costs, delivering faster installations for less.

## From the UK's leading multi-utility network provider

As part of the BUUK Infrastructure Group, GTC delivers the expertise of the UK's largest multi-utility provider. With networks serving over two million homes, we bring dependable reliability and service to your developments.

The ONT is hardware provided and installed by GTC, modems or routers are provided by the internet service provider.

The modem or router plugs into the ONT and is used to convert the signal from the wider broadband network (via the ONT) to the in-home network.



### Ultrafast speeds of 1 Gbps or faster

Endless entertainment with ultrafast, low latency broadband; perfect for all your homeowners' internet needs.



### Voice Services

Homeowners can make and receive calls over our fibre network, either via the voice port on the ONT, or on the router.



### TV Services

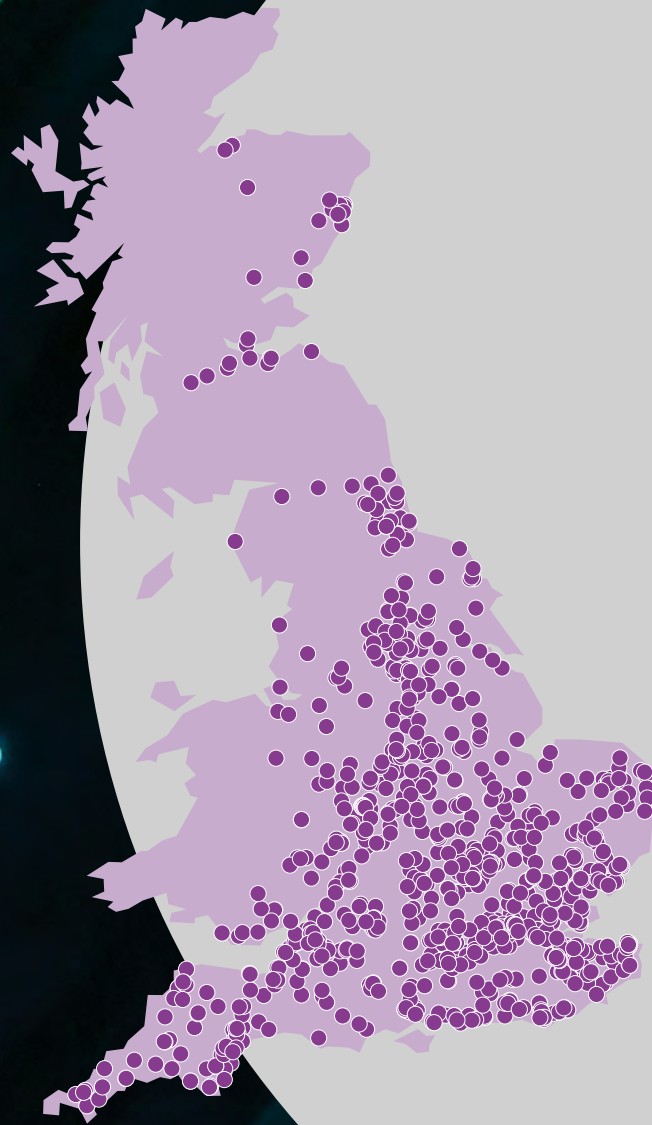
The latest TV and entertainment services are available across our fibre network.



# Coverage you can rely on

GTC's fibre networks deliver gigabit-capable connectivity wherever you build, with gigabit fibre-to-the-home through a single-lay network.

Our footprint ensures your developments have reliable, high-performance fibre infrastructure ready for customers to get online from the day they move in.



More than  
**350k**  
units contracted

More than  
**150k**  
live connections

More than  
**760**  
live sites

# Big names, great choices

We offer housebuilders gigabit fibre through a single lay network that's Virgin Media O2 ready – giving your homeowners a choice of network operator.



**Our ultrafast, full-fibre technology includes broadband, phone, and TV. It's supported by a choice of over 18 residential ([view here](#)) and more than 80 business ([view here](#)) Internet Service Providers (ISPs), including some of the UK's biggest names.**

- Product range to suit all the family – telephone, ultrafast broadband, television, online gaming
- Open access network – with broad ISP choice
- Market-leading suppliers, including Sky and Virgin Media
- Ultrafast broadband and the latest TV and broadband packages
- Great offers including free, live service on move-in from seethelight from Sky
- Backed by excellent customer service from our UK-based call centre



# Simple, streamlined & cost-effective

At GTC, we simplify fibre installation by integrating it into our multi-utility solution for low-rise developments. You get all utilities delivered by a single trusted partner.

Our fibre solution stands out as one of the most competitive in the market. We install fibre at zero cost and provide an industry-leading fibre contribution upfront, ensuring cost certainty for your project. No retrospective claims to access the rebate, no inspections or additional paperwork required.

“

## A great experience

*“Working with GTC has been a great experience. Their team have been exceptionally helpful in the delivery of the FTTH packages into our homes. The high speeds are unparalleled in the area and so have proved enticing to many of our customers, adding real value to their homes. The new residents have been thrilled with the consistent high speeds they are receiving and ease of getting up and running as soon as they move into their home.”*





# End-to-end delivery: We take care of it all

- GTC has full responsibility for project delivery, including offsite
- Single-source fibre installation - no dependency on other joint lay parties
- Site liaison managers undertake regular site visits
- Training and support for on-site sales teams and customer packs
- Fast, responsive and efficient service support for homeowners
- Regular monitoring of end-user customer satisfaction



## Tender

We provide a competitive multi-utility quote with fibre installation at NIL COST + UPFRONT FIBRE CONTRIBUTION.

## Design

As part of our post award process, you will be assigned a dedicated Fibre Designer to develop and deliver your fibre programme on schedule.

## Construct

GTC will install the network and work closely with you throughout the construction phases.



## Operate

Our sister company Ofnl operate the networks, maintaining the infrastructure and providing comprehensive support services for residents.

See how we make installation easy >



# The value adds up

GTC installs a fully ducted fibre network, including pre-formed modular chambers. We provide all materials, including fibre ducts, chamber boxes, and lids – all adding up to significant savings.

This streamlined process saves time, money, and resources. It also minimises your project's carbon footprint and environmental impact. No more repeated digging or coordinating multiple contractors – we handle it all.

“

## Flexible and efficient

*“Working with GTC has been very easy. They have been flexible, efficient and delivered exactly what they promised to the agreed schedule. We couldn't ask for more.”*





Ours is a smarter, more efficient, and cost-effective solution that streamlines utility infrastructure while delivering maximum value.

- Significant cost savings – upfront competitive rebates
- Substantial savings on groundworker costs
- Complete material supply – including fibre ducts, chamber boxes, and lids

We eliminate the need for repetitive digging by integrating fibre installation with other utilities. Our process includes laying ducts during utility installation and running direct fibre to each plot from the service joint, providing end users with direct fibre into the ONT. This approach reduces light loss and improves service quality. It also minimises the number of access chambers needed. Each service joint can support up to 16 plots, simplifying site infrastructure and maximising efficiency.

**The physical install is charged at zero cost. Plus, we supply and install the ducting and communication chambers.**

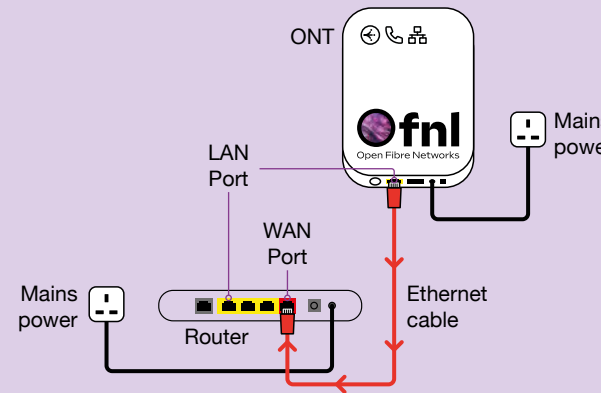
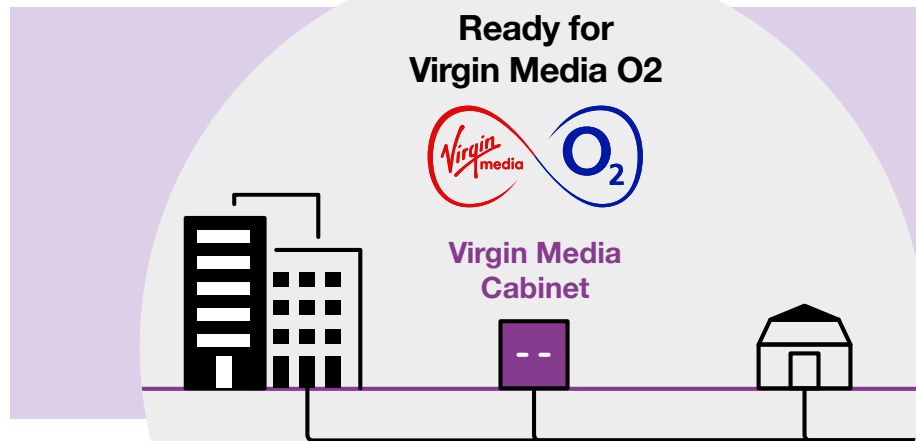
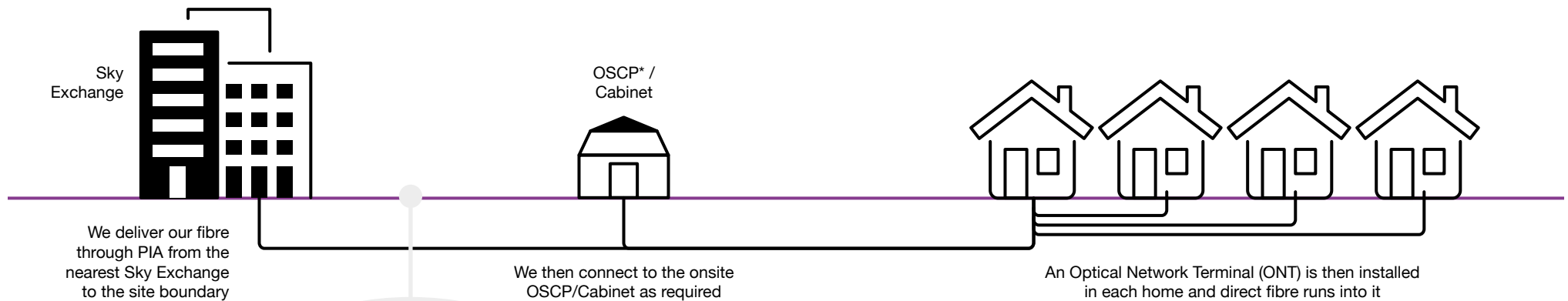


“

**Very competitive**

*“It’s a cost-effective solution. The per-plot contribution was very competitive. Plus, we saved significantly on materials and groundwork costs—it’s good value and saves time and money co-ordinating several different parties.”*

# Installation the easy way



## The Optical Network Terminal

The Optical Network Terminal (ONT) is what allows the fibre optic cable to be connected from inside the home, out through the property and to the fibre network at the street. It then connects back to an internet service provider, allowing connection to the internet.

\*On-Site Convergence Point (OSCP): A designated location (building, cabinet, or room) housing equipment to deliver fibre services. GTC advises on the best option and agrees on the location with the project team.





**All homeowners  
working, playing  
and connecting  
together**

gtc

**Talk to us today about  
getting ultrafast fibre  
the easy way**



01359 240154



sales@gtc-uk.co.uk



www.gtc-uk.co.uk